



PFC Device Corporation

SS345F

3A 45V Schottky Rectifier

Major ratings and characteristics

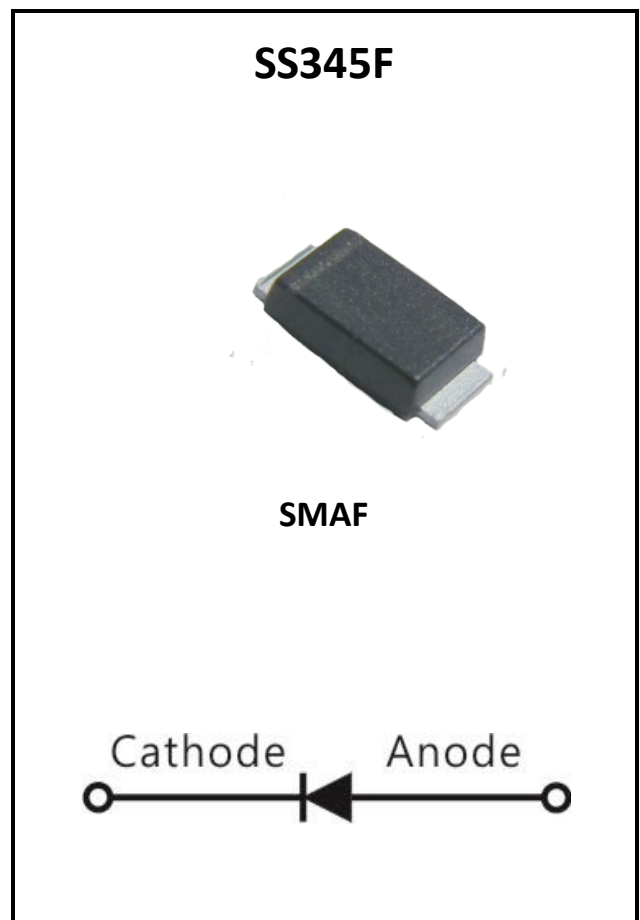
Characteristics	Values	Units
$I_{F(AV)}$ Rectangular Waveform	3	A
V_{RRM}	45	V
T_J Operating Junction Temperature	-55 to +150	°C

Features

- Low Forward Voltage Drop
- Reliable High Temperature Operation
- Softest, fast switching capability
- 125°C Operating Junction Temperature
- Lead Free Finish, RoHS Compliant

Typical Applications

Device optimized for low forward voltage drop to maximize efficiency in Power Supply applications



1. Characteristics

Maximum Ratings Characteristics ($T_A = 25^\circ\text{C}$ unless otherwise specified)

Parameter		Symbol	Values	Units
DC Blocking Voltage		V_{RM}	45	Volts
Working Peak Reverse Voltage		V_{RWM}		
Peak Repetitive Reverse Voltage		V_{RRM}		
Maximum RMS Voltage		V_{RMS}	32	Volts
Average Rectified Forward Current Per device		I_o	3	Amps
Peak Forward Surge Current - 1/2 60hz		I_{FSM}	80	Amps
Maximum Instantaneous Forward Voltage at 3A	$T_J = 25^\circ\text{C}$	V_F^*	0.52	Volts
Maximum Instantaneous Reverse Current	$T_J = 25^\circ\text{C}$	I_R^*	500	μA
	$T_J = 100^\circ\text{C}$		20	mA
Typical Thermal Resistance		$R\theta_{JA}$	70	$^\circ\text{C} / \text{W}$
f=1MHz and applied 4V DC reverse voltage		C_J	200	pF
Operating Junction Temperature		T_J	- 55 to +150	$^\circ\text{C}$
Storage Junction Temperature		T_{STG}	- 55 to +150	

* Pulse width < 300 μs , Duty cycle < 2%



2. Characteristics Curves

Ratings and Characteristics Curves

(TA = 25°C unless otherwise specified)

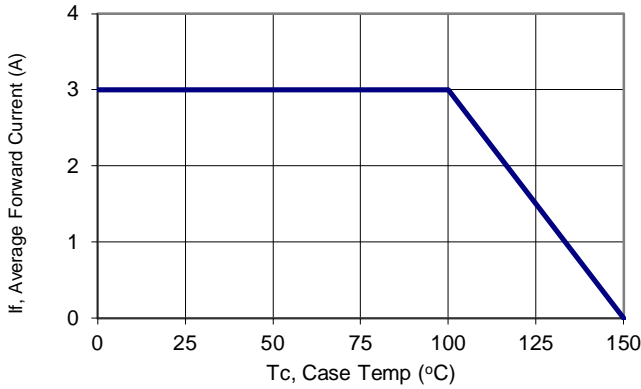


Figure 1: Current Derating, Case

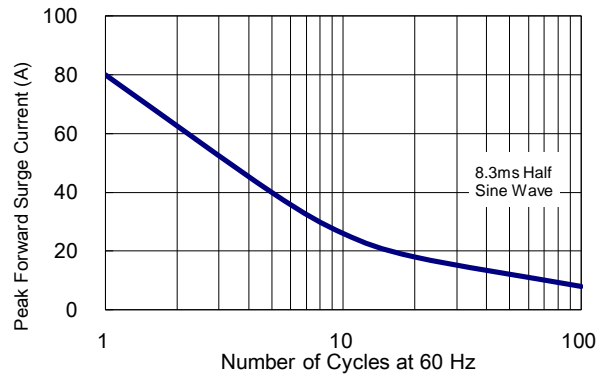


Figure 2: Maximum Repetitive Surge Current

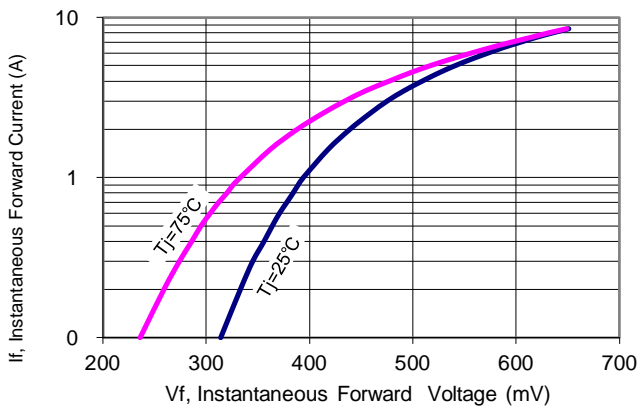


Figure 3: Typical Forward Voltage

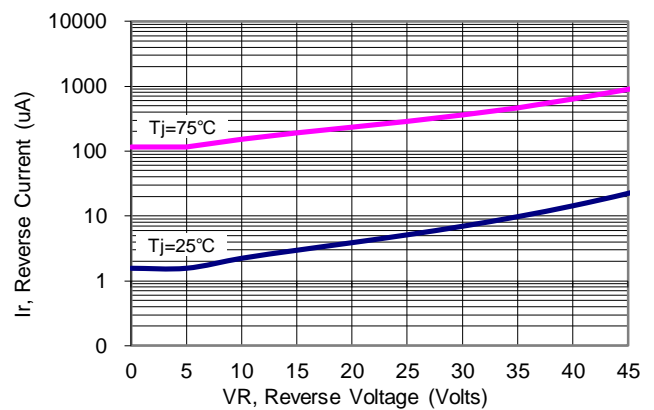


Figure 4: Typical Reverse Current

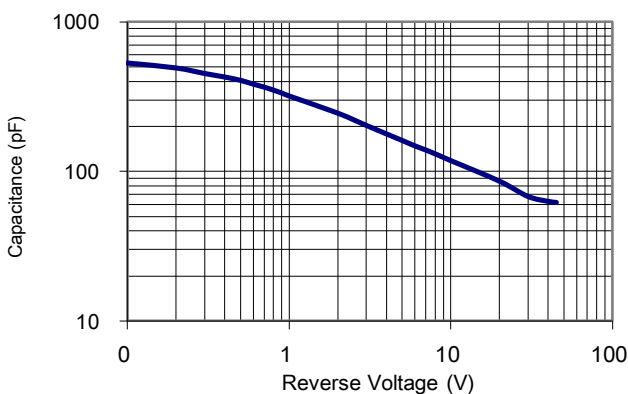


Figure 5: Typical Junction Capacitance



3. Marking information

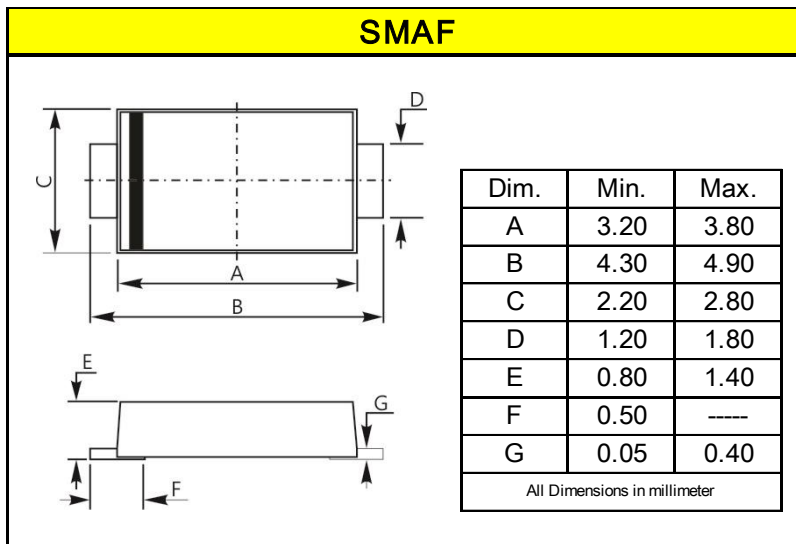
Top Marking Rule



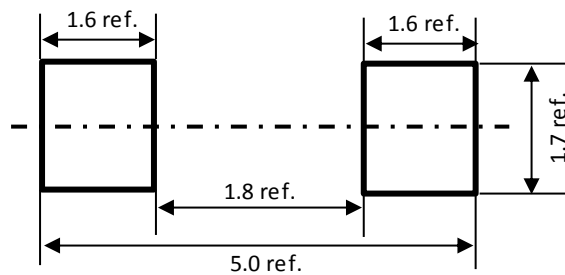
SS345F= Product Type Marking Code

4. Package information

Suggested Package Outline Dimensions millimeters

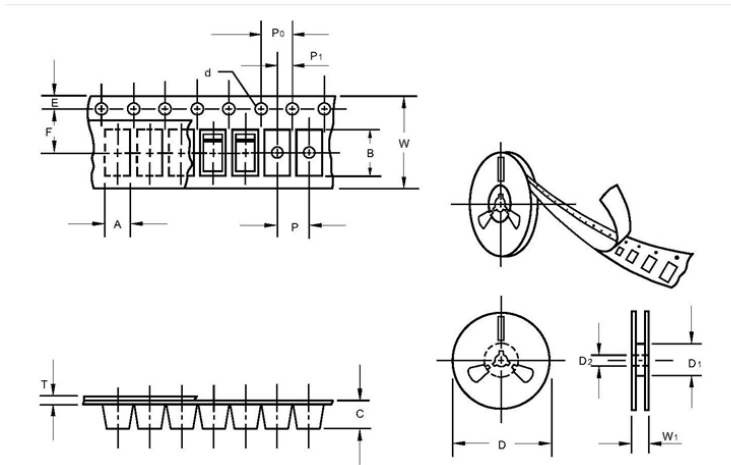


Mounting pad Outline Dimensions millimeters



5. Packing and Ordering information

Packing information millimeters



Item	Symbol	Dimension (mm)
Carrier width	A	2.85±0.15
Carrier length	B	4.75±0.15
Carrier depth	C	1.40±0.15
Sprocket hole	d	1.50±0.15
Reel outside diameter	D	278.0±2.0
Reel inner diameter	D1	50min.
Feed hole diameter	D2	13.0±1.0
Stocket hole position	E	1.75±0.10
Punch hole position	F	5.5±0.10
Punch hole pitch	P	4.0±0.10
Sprocket hole pitch	P0	4.0±0.10
Embossment center	P1	2.0±0.10
Total tape thickness	T	0.25±0.10
Tape width	W	12.0±0.30
Reel width	W1	13.5±1.5

Ordering information

Part Number	Package	Base Quantity	Delivery mode
SS345F	SMAF	7500	11" diameter plastic tape and reel

Mechanical

- Molder Plastic: UL Flammability Classification Rating 94V-0
- Device Weight : 0.0012 ounces (0.033grams) - SMAF

PFC Device Corp reserves the right to make changes without further notice to any products herein. PFC Device Corp makes no warranty, representation or guarantee regarding the suitability of its products for any particular purpose, nor does PFC Device Corp assume any liability arising out of the application or use of any product or circuit, and specifically disclaims any and all liability, including without limitation special, consequential or incidental damages. "Typical" parameters which may be provided in PFC Device Corp data sheets and/or specifications can and do vary in different applications and actual performance may vary over time. All operating parameters, including "Typical" must be validated for each customer application by customer's technical experts. PFC Device Corp does not convey any license under its patent rights nor the rights of others. PFC Device Corp products are not designed, intended, or authorized for use as components in systems intended for surgical implant into the body, or other applications intended to support or sustain life, or for any other application in which the failure of the PFC Device Corp product could create a situation where personal injury or death may occur. Should Buyer purchase or use PFC Device Corp products for any such unintended or unauthorized application, Buyer shall indemnify and hold PFC Device Corp and its officers, employees, subsidiaries, affiliates, and distributors harmless against all claims, costs, damages, and expenses, and reasonable attorney fees arising out of, directly or indirectly, any claim of personal injury or death associated with such unintended or unauthorized use, even if such claim alleges that PFC Device Corp was negligent regarding the design or manufacture of the part.

